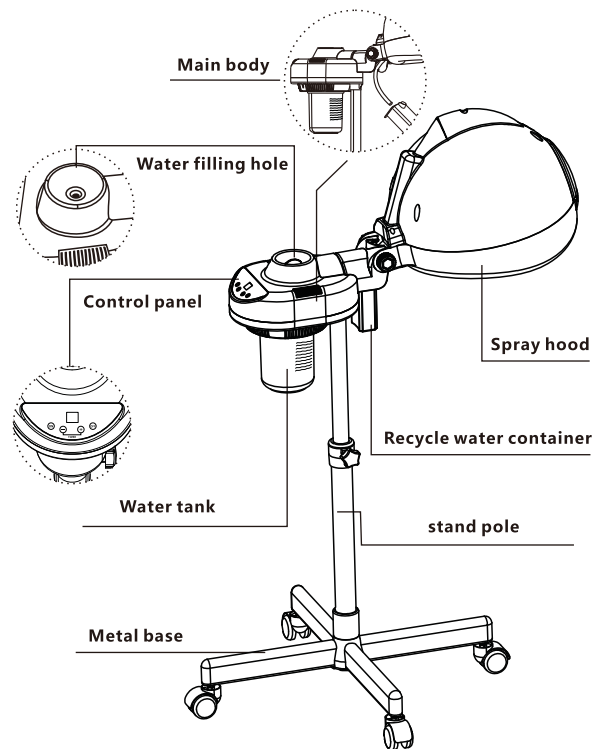


TASALON
PROFESSIONAL



Professional Hair Steamer
User Manual

Name of Product Component

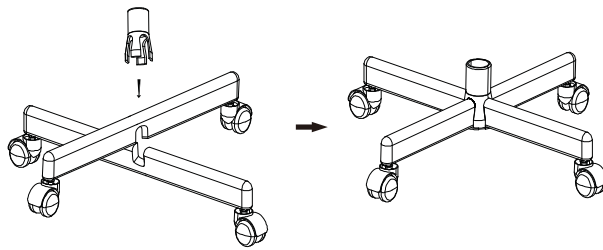


Specification Parameters

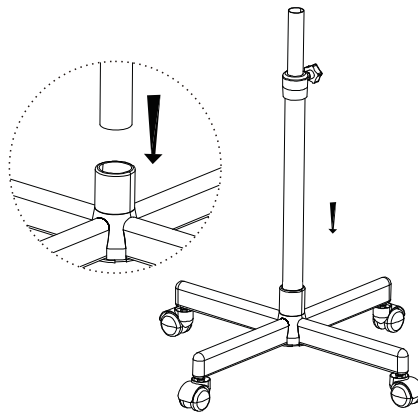
Rated Voltage	120V
Electric Power	650W
Rated Frequency	60HZ

Assembly Instructions

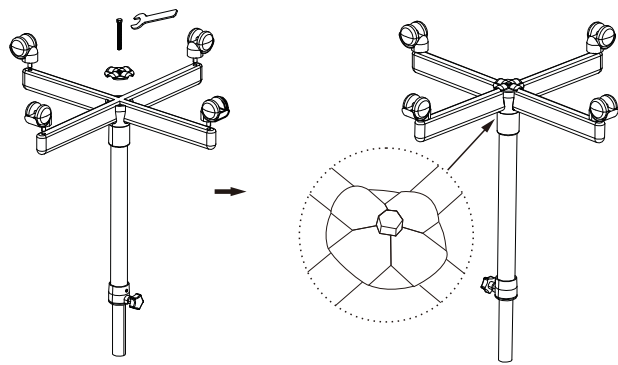
Step 1:



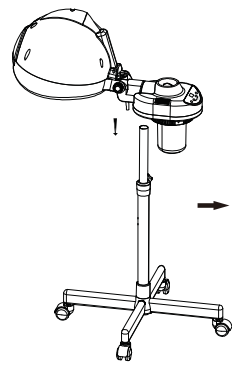
Step 2:



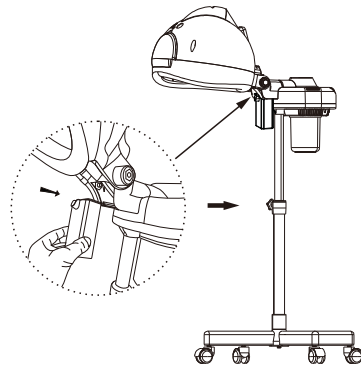
Step 3:



Step 4:

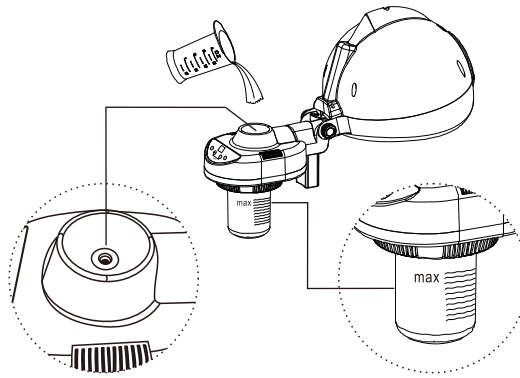


Step 5:

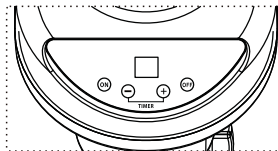


Operation Instruction

- 1 Fill water from the water filling hole, make sure the water level does not exceed the "max" line.



- 2 Switch on the power by pressing the Power button. Set up desired time by pressing the "+" "-" buttons. The water will be heated and steam will start to spray in approximately 5-8 minutes depends on water volume.

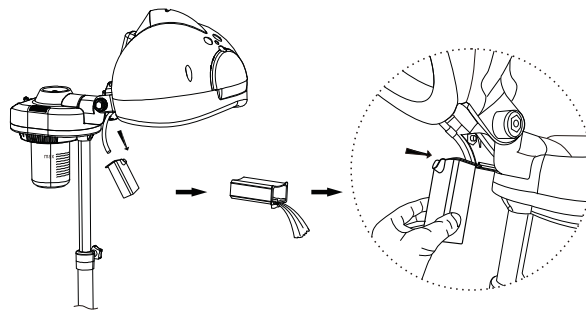


Cautions:

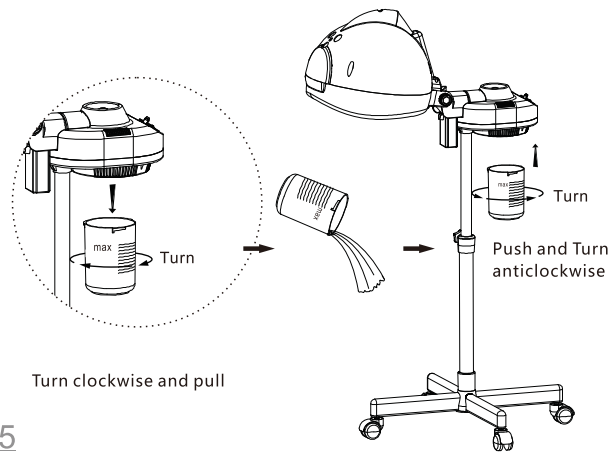
For your safety, the unit detects when the water level is low and automatically shuts off.

To restart the unit, simply turn off the power and fill the water jar with water, then turn the unit on. It will operate normally once it heats up to the correct temperature.

3 After using for a while, the recycle water container will be filled with recycled water, take it off from the unit and pour the water, then put it back to the holding position.



4 If the unit is not being used for a long time, drain out the water in the water tank.



Warning

- This device is designed for use by professionals properly trained in its use.
- Use distilled water only. Do not add any chemical elements or essential oils into the water tank.
- If you have any pre-existing medical conditions, consult a doctor before use.
- Use this product for its intended use only.
- This product should never be operated by or in close proximity to children.
- An appliance should never be left unattended when plugged in.
- Unplug from electrical outlet when not in use.
- Do not operate this device if it has a damaged cord or plug, if it is not working properly, if it has been dropped or damaged, or dropped in water.
- Keep the power cord away from heated surfaces.
- Do not use an extension cord with this product.
- Always use in a clear and an obstructed area.
- Do not use outdoors. This product is designed for indoor use only.
- Always use the device on a level surface. Applying weight to the base, such as sandbags, will help secure the device.
- Do not tilt device while in operation.
- Do not touch any part of the device that is hot.
- Do not cover the product with any type of material while it is in operation. Excessive heating can occur and cause fire, electrical shock, or other injuries to persons.
- Do not place device where it can fall or be pulled into a tub or sink. Do not place in or drop into water or other liquid, and always store in a dry place.
- Do not reach for any appliance that has fallen into water. Unplug it immediately.
- Never touch the product or its cord with wet hands.
- Never attempt to disassemble or repair the product yourself.

WARRANTY CARD

Owner Warranty certificate

(Users save, show it to the maintenance point of repair)

Product name:

Model:

Place of origin:

Warranty period:

Invoice number:

Date of purchase:

Maintenance records

Repair date: _____ Date of inspection: _____

Failure, maintenance, handling of:

Maintenance units: _____ Repairer's signature: _____