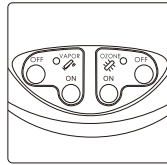


Function:

- A. The unit features a stainless steel heating pipe, this makes it more durable and easier to clean.
- B. The hot water tank is strong, durable, and clean.
- C. The unit will automatically detect a low water level and switch off. (This is for you and your client's safety) To restart the unit simply turn the unit off and fill with water, then turn on the unit. The unit will operate normally once a suitable temperature is reached.

How to use the unit:

1. Make sure the water jar is on securely and aligned.
2. Fill the water jar through the opening with distilled water. Make sure the water level is between the MAX and MIN marks.
3. Press the VAPOR ON/OFF switch to heat the water. The steam will start to spray in about 5 minutes (the time may vary depending on volume and temperature of water). Press the OZONE ON/OFF switch to turn on the UV light and create ozone.
4. When the steam comes out, get it closer to the client's face, the ideal distance between the spray nozzle and the clients face is about 20cm. Don't get too close to the client's skin to avoid burning.



When the device shuts off automatically, It may indicate.

- A: There is not enough water in the tank: Switch off the power, fill to the MAX level of water, then restart the device.
- B: There is too much water in the tank: Switch off the power, drain the excess water, then restart the device.
- C: The water is dirty or not fit for the steamer: Switch off the power, clean the water tank and heating pipe, the tank with distilled water, then restart the device.

This device has been thoroughly tested and examined. In case of any malfunction, please contact your local distributors. Non-authorized repair or tampering will invalidate the warranty. When using electrical appliances, especially when children are present, basic safety precautions should always be followed.

Note the following Cautions:

1. Do not place the device upside down or tilt it when it is in operation; use it only on a level surface.
2. Do not start the device without water.
3. Do not use additives in the water
4. Clean the water tank frequently. Make sure to turn off the power and unplug before taking off the water tank and allow time for the unit to completely cool.
5. Do not touch the water tank when it is hot.
6. Make sure to drain the water if the device is left not in use for a long time.



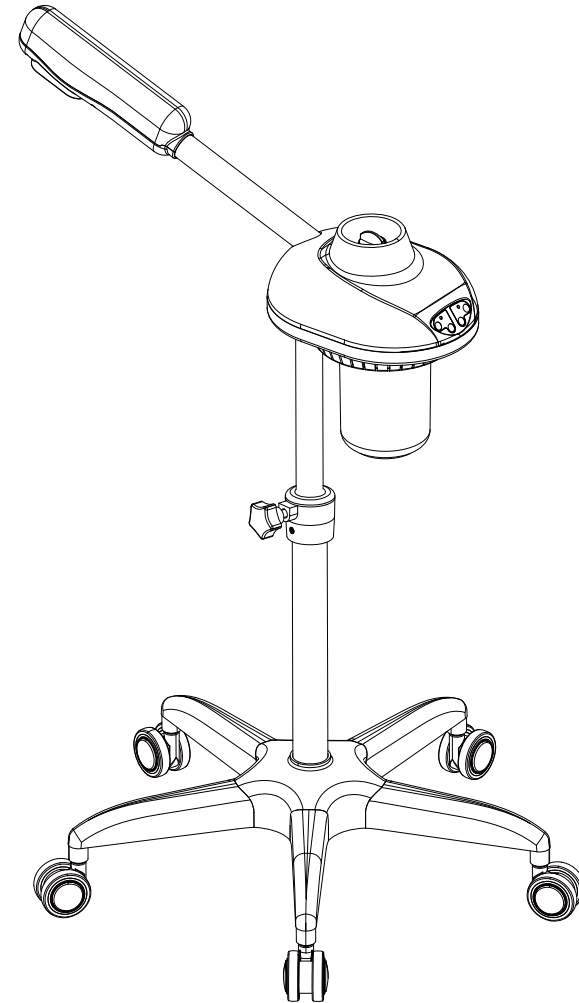
Rated Voltage : 120V/60Hz

Rated Power : 750 W

Made in China

TASALON
PROFESSIONAL

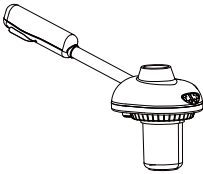
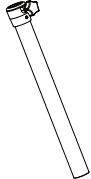


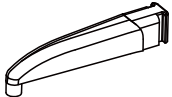

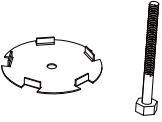
Instruction Manual



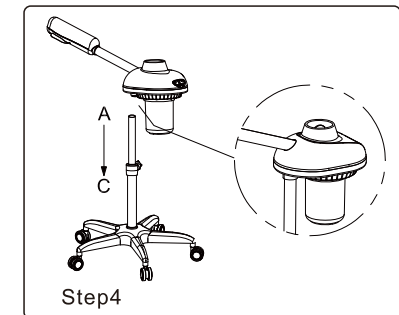
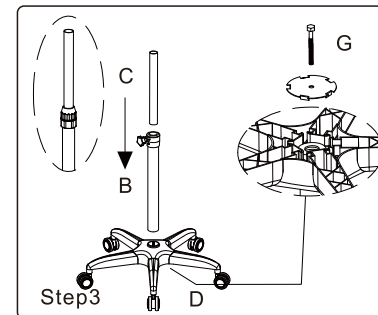
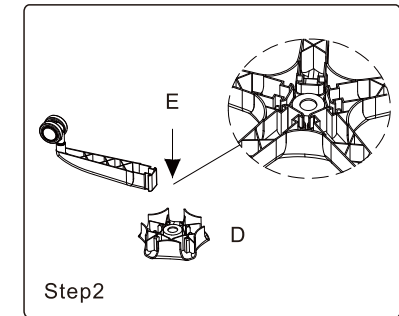
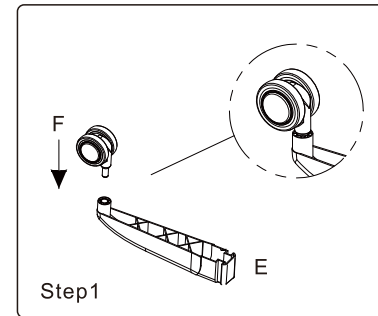
TASALON FACIAL STEAMER
Designed by and for Professionals



PART LIST

A:Steamer	B:Lower pole	C:Upper pole
1 PC	1 PC	1 PC
		
D:Plastic hub	E:Plastic leg	F:Wheel
1 PC	5 PCS	5 PCS
		
G:Washer&Bolt		
1Set		
		

INSTALLATION



WARNING

1. An appliance should never be left unattended when plugged in.
2. Close supervision is necessary when this appliance is used by, on, or near children or individuals with certain disabilities.
3. Use this appliance only for its intended use as described in this manual. Do not use attachments not recommended by the manufacturer.
4. Never operate this appliance if it has a damaged cord or plug, if it is not working properly, or if it has been dropped, damaged, or dropped into water. Return the appliance to a service center for examination and repair.
5. Keep the cord away from heated surfaces. Do not wrap the cord around the appliance.
6. Never block the air openings of the appliance or place it on a soft surface, such as a bed or couch, where the air openings may be blocked. Keep the air openings free of lint, hair etc.
7. Never use while sleeping.
8. Never drop or insert any object into any opening or hose.
9. Do not use in the outdoors or operate where aerosol (spray) products are being used or where oxygen is being administered.
10. Unplug this appliance before filling. Fill (reservoir) with water only. Do not overfill.
11. Do not use an extension cord with this appliance.
12. Use facial steamer only on a level surface.
13. Do not use additives.
14. Never hold this facial steamer close to your face in one position as this may cause scalding.