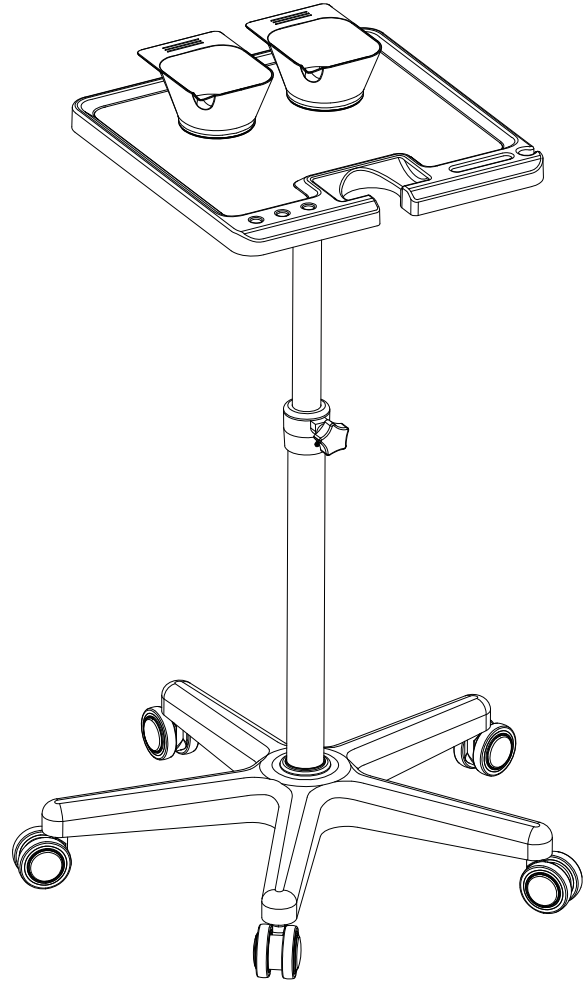
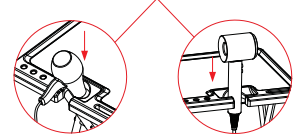
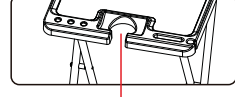
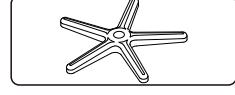
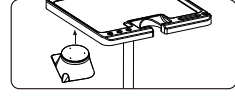
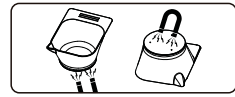


FEATURES

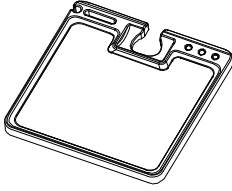
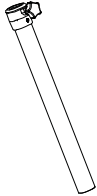

- ◊ 2 piece color bowls with magnets built at the bottom.
- ◊ No exposed screws or magnet pieces, non rust and fully washable.
- ◊ Firmly attach to any iron surface. No flipping over, no splashing color during use .
- ◊ Conveniently attaches under bottom of metal tray when not being used. Save space and easy to find.
- ◊ Patented rolling wheels, smooth, noiseless and hair does not stick to wheel.
- ◊ Sturdy star shape base, height is adjustable stand pole.
- ◊ Uniquely designed dryer holder accommodates most types of hair dryers, including Dyson.

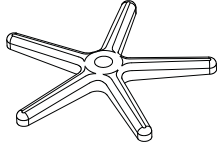

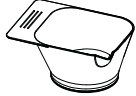


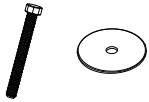
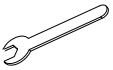

MAGNETIC COLORING SYSTEM
Your Personal Hairdressing Assistant



PART LIST

A:Top tray	B:Lower pole	C:Upper pole
1 PC	1 PC	1 PC
		

D:Base	E:Wheel	F:Bowl
1 PC	5 PCS	2PCS
		

G:Washer & Bolt	H:Wrench	I:Fitting Part
1Sets	1 PC	1 PC
		

INSTALLATION

